

EASYMECH

Cutting Oil + Water Mixer

Discover the Easymech Advantage

Reduce Monthly Cutting Oil Consumption	> Avoid loss due to Excess Oil Consumption above the recommended package
Share on labour cost	> No Manpower required on daily basis for Topping up oil + Water Mixture into coolant tank
Convenient	> Get Premixed - Ready to use oil + water concentrate which can be directly poured into Machine tank
Peace of Mind	> No calculation of coolant concentration required > Save time and efforts in cross checking coolant concentration percentage with Refractometer / TA Kit
Save on money and manpower	> Ideal for large tanks & multiple machines requiring excessive manpower for topping up
Flexible	> Get precise and accurate concentration from 2% to 10% as per requirement
Reliable	> 3 years best in class warranty
	> Training on use and preventive maintenance
	> Ready stock of necessary spares and accessories



Injection range:

0,025% to 20%

Water flow range:

7 l/h to 2700 l/h*

Operating pressure:

0,5 bar to 9,6 bar*

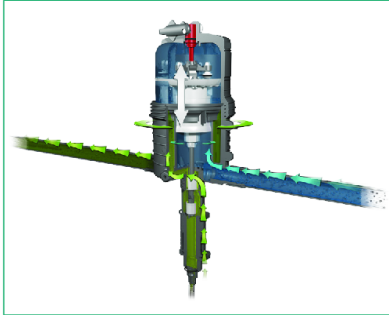
*Depending on model

EASYMECH offers the widest range of models in the industry with flow rates from 7 l/h to 2700 l/h and injection ratios from 0,025% to 20%.

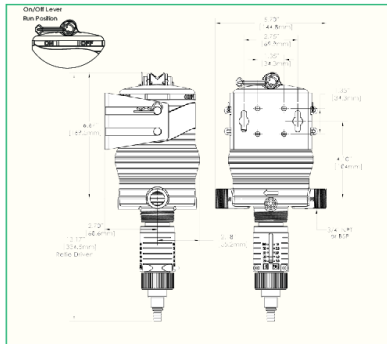
Model	Flow rate	Injection ratio	Pressure	Connections
EASYMECH 0.4%	7 l/h - 2700 l/h	0,025% - 0,4%	0,5 - 9,6 bar	3/4" bsp
EASYMECH 1%	7 l/h - 2700 l/h	0,2% - 1%	0,5 - 9,6 bar	3/4" bsp
EASYMECH 2.5%	7 l/h - 2700 l/h	0,5% - 2,5%	0,5 - 9,6 bar	3/4" bsp
EASYMECH 5%	7 l/h - 2700 l/h	1% - 5%	0,5 - 9,6 bar	3/4" bsp
EASYMECH 10%	16 l/h - 2200 l/h	2% - 10%	0,5 - 4,5 bar	3/4" bsp
EASYMECH 20%	16 l/h - 1500 l/h	4% - 20%	0,5 - 4,5 bar	3/4" bsp

Operating principle

Installed directly in the water supply line, the **Easymech cutting oil + water mixer** operates without electricity, using water pressure as the power source. The water drives the injector, which pulls the required percentage of concentrate directly from the **cutting oil barrel**. Inside the mixing chamber the concentrate is mixed with the water and the water pressure forces the mixed solution downstream. The amount of concentrate will be directly proportional to the volume of water entering the mixer, regardless of variations in flow or pressure.



Dimensions



Warranty Details

The cover and body are warranted to be free from defects in materials and workmanship for **THREE YEARS** from date of purchase.

The motor piston is warranted to be free from defects in materials and workmanship for **TWO YEARS** from date of purchase.

The lower end is warranted to be free from defects in materials and workmanship for **ONE YEAR**, from the date of purchase.

Each model is 100% factory tested.

For information on other models, accessories and specific systems, please contact your **Mechmatrix** representative.

Principle applications

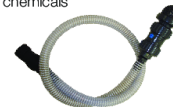
Cleaning, Cutting Fluids,

Optional Extras for Easymech Oil Mixer

Mobile cart system 3/4"



Viscosity kit
Available for high viscosity chemicals



Twist II Clean Filter 3/4"



External injection kit
Required for highly corrosive chemicals



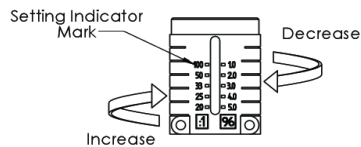
Barrel adapter system



External injection kit with MiniDos in series



Injection ratio setting



The injection rate is set by lining up the ratio sleeve with the desired ratio on the scale. The amount of injected concentrate is proportional to the amount of water coming into the Mixer : i.e. adjustment at 1% = 1:100 = 1 volume of concentrate + 100 volumes of water entering the injector.

Package Contents

- Easymech Oil Mixer
- Manual
- Suction hose and filter
- Mounting bracket
- Wear parts kit (dosage piston and o-ring , 0,4% & 1% models include lower shafts)

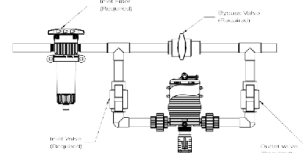
To optimize your Easymech Oil Mixer

- Install a filter (104 micron) upstream of the injector depending on water quality.
- It is recommended to change the wear parts every 6 month, one set is included in the purchase of your **product**.
- Rinse with clear water when not in use.
- Install necessary protections for excess flow, excess pressure and water hammer.
- Install on a 3 valve bypass.
- For all other installation questions, please contact your **Mechmatrix Service Representative**.

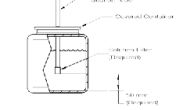
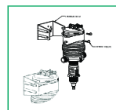
General Specification

Housing	Proprietary engineered composite material
Dosing	+/- 10%
Repeatability	+/-3%
Pressure loss	0,2 - 1,2 bar max
Fluid max. temp.	38°C
Fluid min. temp.	1°C
Max. vertical suction of concentrate	3.6 m
Max. horizontal suction of concentrate	15 m
Self-priming	Yes
Seal material available*:	Aflas - Alkaline concentrates Viton - Acids, oils & pesticides EPDM - Alkaline concentrates *Contact your Hydro Systems representative for specific chemical information.

By-Pass-Installation



Wall mounting



MECHMATRIX

Making Machining Matters Easy

T: 0253-6698801 - 20 (20 Lines)

F: 0253-6601975

E: salesmmx@gmail.com

C/o Dev Enterprises,
Plot No.: F-53, MIDC Satpur
Nashik 422007

www.mechmatrix.in