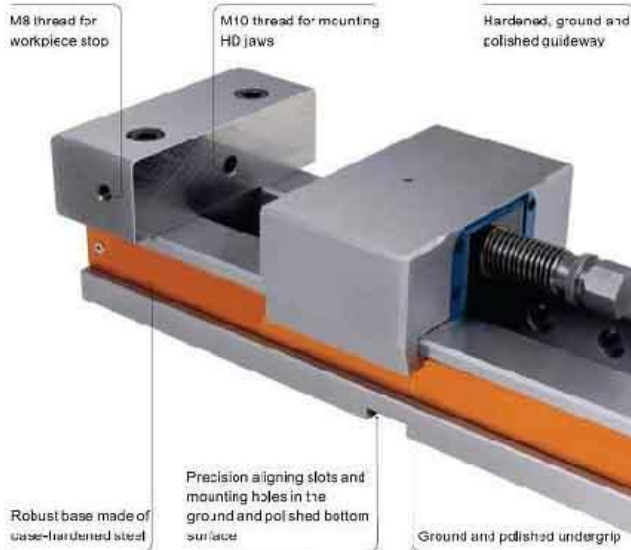


# MECHMATRIX offers High Precision Machine Vice

Model: EASYMECH 200

**No**  
Hammering  
Required



Application: Suitable for

- CNC Milling Machines
- Conventional Heavy Duty Milling Machines
- CNC Vertical Machining Centers

- **Maintenance Free:**  
Lasts a lifetime. Service Life in excess of 20 Years
- **Precision & High Clamping Force:**  
Case Hardened Steel. Hardened Upto 60HRC  
Precisely Ground
- **Compact:**  
Large opening Jaws-200mm  
Occupies less space on table

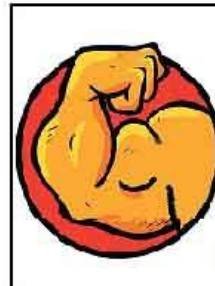


**Peace of Mind**

**2** year  
warranty

**ACCURACY**

within  
10 microns  
For  
Parallelism  
And  
Squareness



**HEAVY**  
Clamping Force  
35KN  
High Torque

**LARGE**

Opening Suitable  
for Smaller  
machine table



Maintenance  
**FREE**

Lasts a Lifetime



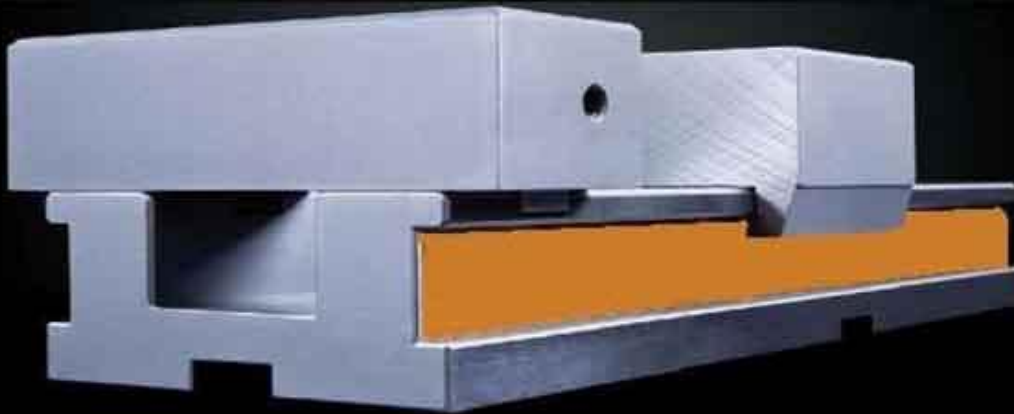
Call Now - For more information

9225329385 / 9822303180 / +91.253- 6698801 / 02/ 03.  
or Email us at [salesmmx@gmail.com](mailto:salesmmx@gmail.com), [salesmmx@mechmatrix.in](mailto:salesmmx@mechmatrix.in),  
Our Technical Service Department shall be happy to assist you accordingly



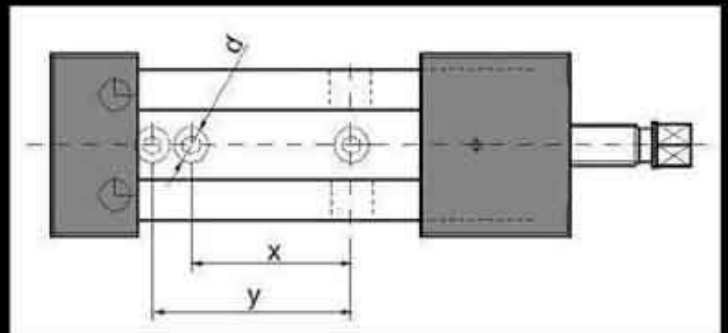
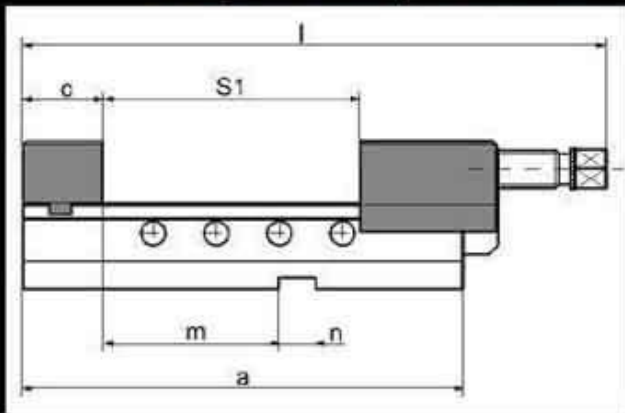
## Benefits of EASYMECH 200 High Precision Machine Vice

1. Manufactured from high grade case hardened steel
2. Guideway & jaw hardness is between 58 to 62HRC
3. Guideway parallel accuracy within 10 microns
4. Rightangle of jaw & guideway with 10 microns
5. Dimensional accuracy of any two vices within 10 microns
6. Clamping force is max-35KN
7. Torque required to achieve the max clamping force- 85NM
8. Dimensional accuracy of body, movable jaw & fix jaw never change
9. Fast adjustment of clamping range presetting
10. Integrated scrapers ensure functional reliability & minimizes cleaning
11. Fixing on machine table by means of mounting hole in the middle of the vice & can be clamped with side clamps also
12. By using torque wrench reproducible clamping forces can be achieved & workpiece can be positioned within 10 microns every time.
13. Suitable for conventional & CNC vertical milling machine
14. Hammering is not allowed
15. Two years warranty on lead screw & box nut



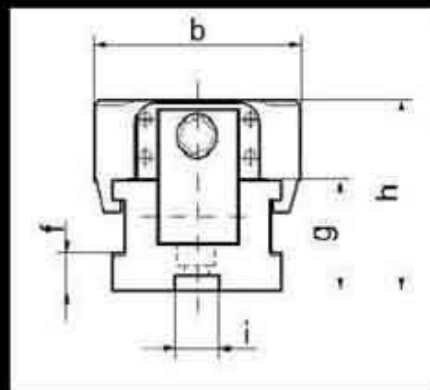
**Product Features:**

- Excellent ease of operation guarantees optimal handling for every application
- Fast adjustment for clamping range presetting
- Operation with the ring wrench supplied
- Reproducible clamping forces are achieved using a torque wrench
- Optional centre jaw allows two or more workpieces to be clamped.



**Technical Data**

Type	Easymech 200	
Dimensions / tolerances in mm	a	310
	b	124
	c	50
	d	13
	f	15
	g	48
	h	87.5
	i	20
	l max	426
	m	120
	n	20
	x	100
	y	125



Type	125
Clamping range S1 in mm	0 – 208
Torque in Nm	85
Max. clamping force in kN	35
Weight in kg	13.5