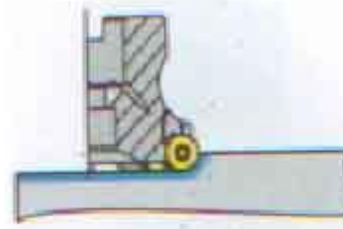
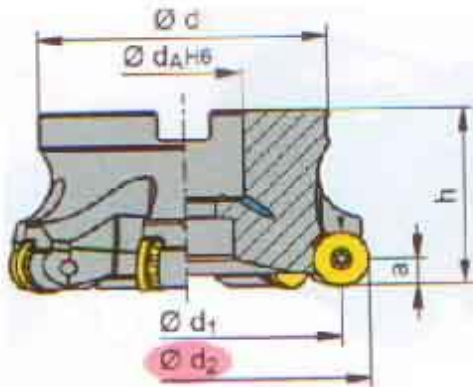




**Get the Combined Benefit of
High Performance + Economical Price
with EASYMECH R6 Round Inserts and Cutters**



Please see attached Trial Reports from a few of our customers for RDKW 1204 inserts

Sr.	Customer	Benefits / User Comments	Competitor
1	Yogashram Enterprises	Annual Saving on R6 Inserts Rs. 1,03,200/- with Mechmatrix	Local Inserts Mumbai
2	Shree Engineers	Excellent Cutter Performance	New
3	Max Moulds	83% Increase in Tool Life. Annual Machining Cost reduction by Rs. 72,000/-	Tungaloy
4	Ganesh Engineering Works	21% Increase in Tool Life with Good Surface Finish	Derek
5	Century Engineers	33% Higher Contact Time Monthly Cost Reduction by Rs. 5,000/-	Widia



Call Now - For more information

9225329385 / 9822303180 / +91.253- 6698801 / 02/ 03.
or Email us at salesmmx@gmail.com, salesmmx@mechmatrix.in.
Our Technical Service Department shall be happy to assist you accordingly

