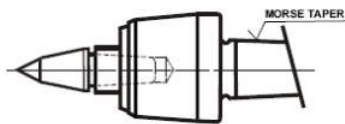


MECHMATRIXX OFFERS THE EASYMECH RANGE OF HIGH PERFORMANCE REVOLVING CENTERS SUITABLE FOR CNC TURNING LATHES

YOUR ADVANTAGE	FEATURES
>SUITABLE FOR HIGH SPEED CNC LATHE	>DESIGNED FOR OPERATION UPTO 4000RPM
>LOW MAINTENANCE COST	>INTERCHANGEABLE TIP. NO NEED TO SERVICE THE REVOLVING CENTER IN CASE OF DAMAGE TO THE TIP.
>LONG SERVICE LIFE	>TRIPPLE BEARING CONSTRUCTION WITH SPECIAL ISOFLEX NBU15 GREASE
>SAVE SET UP TIME	>THE MALE POINT CAN BE CHANGED EASILY IN LESS THAN A MINUTE

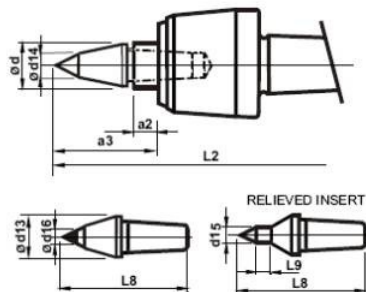
HIGH SPEED LIVE CENTRES (FOUR BEARINGS)



ORDER. NO.	3053	3054	3055
MT.	3	4	5

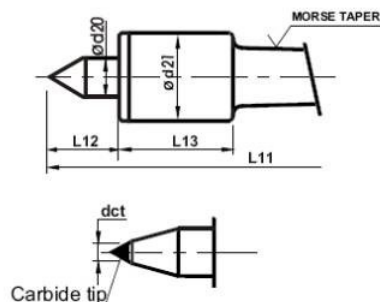
6000 RPM
SUPER PRECISION BEARINGS
SPECIALISED SEALING
DIMENSIONS AS PER Q.C CENTRES

QUICK CHANGE CENTRES WITH PLAIN, CARBIDE or RELIEVED INSERTS



ORDER.NO.	3033	3034	3035
a2	15	10	10
a3	40	49	54
d	23	28	34
d13	18	24	26
d14	10	12	12
d15	10	10	10
d16	6	10	10
l8	48	75	80
L2	156	217	259
L9	10	10	10

MINI CENTRES (SMALL BODY DIA)



ORDER. NO.	MT	d20	d21	dct	L13	L12	L11
3063	3	15	36	7	34	25	149
3064	4	20	42	8	44	26	180
3065	5	28	68	10	56	54	246

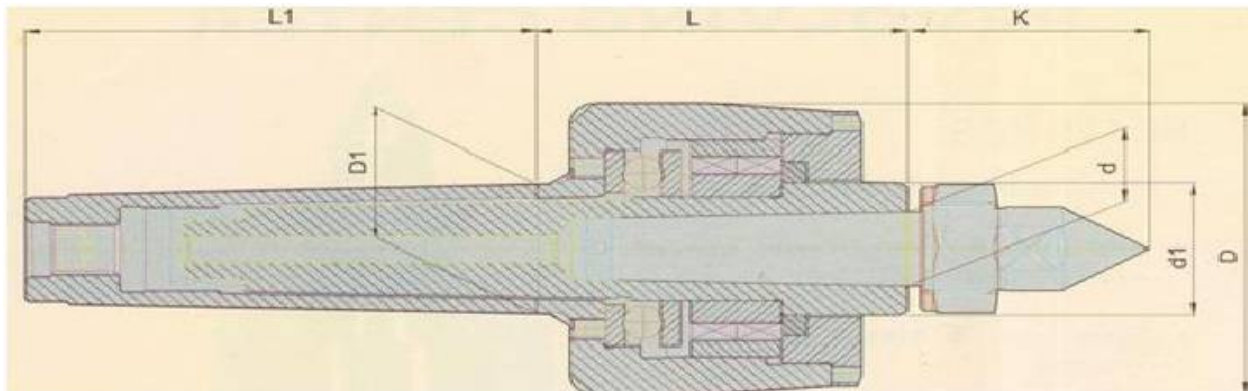
REVOLVING CENTER

FEATURES:

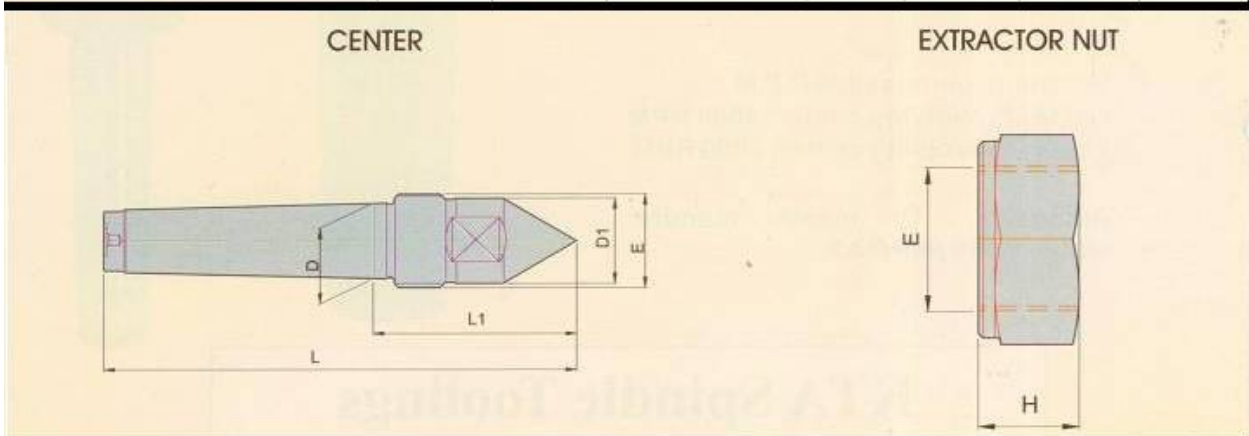
- THREE BEARINGS CONSTRUCTION
- LIFE LONG LUBRICATED WITH SPECIAL GREASE ISOFLEX NBU15
- MAIN BODY AND SLEEVE HARDENED & GROUND
- OPERATOR FRIENDLY DESIGN FOR DISMANTLING AND ASSEMBLING. THE USER CAN CHANGE THE BEARINGS AFTER LONG USE OR WEAR WITHIN FEW HOURS, ALL DETAILS ARE SHOWN IN SCHEMATIC DRAWING
- BEING STANDARD MT2 & MT3 INTERNAL TAPERS IN MT4 & MT5 REVOLVING CENTERS RESPECTIVELY, EASY TO REPLACE CENTERS OF STANDARD ANGLE TO, 30 DEGREES ANGLE TO PIPE CENTER. OR...
- MAXIMUM PERMISSIBLE R.P.M.
 - FOR MT4 REVOLVING CENTER: 4000 RPM
 - FOR MT5 REVOLVING CENTER: 3000 RPM
- ACCURACY: ON MASTER MANDREL WITHIN 0.010MM MAX



REVOLVING CENTER



ITEM NAME	D	D1	d	d1	L	L1	K
MT4 REVOLVING CENTER WITH INTERNAL MT2 TAPER	70.00	31.267	MT2 INTERNAL 17.78	32.00	73.50	102.50	48.00
MT5 REVOLVING CENTER WITH INTERNAL MT3 TAPER	87.50	44.399	MT3 INTERNAL 23.825	40.00	94.00	129.50	57.00



ITEM NAME	D	D1	L	L1	H	E
MT 2 CENTER	17.78	20.00	112.00	48.00	15.50	M22x1.5P
MT 3 CENTER	23.825	24.00	138.00	57.00	17.50	M27x1.5P

Disclaimer: Your privacy is Important to us: In case you do not wish to receive Newsletter from us in the future please send us an email as the subject line as "DO NOT SEND" to enable us to remove your email address from our mailing list.